

COPYRIGHT WARNING
 C.J.L. Design Services copyrighted plans may only be utilized by agents or clients C.J.L. Design Services. Federal copyright protection extends to original & modified plans. It is applicable to intentional or unintentional infringements, & provides for specific statutory damages, both civil & criminal.

No.	Date	Revision	By

NYS Seal of Certification
 20 Beght Road
 Waterlily
 New York 12189
 (518) 272-7817
 Email: cjl@cjldesign.com
 Web: www.cjldesign.com

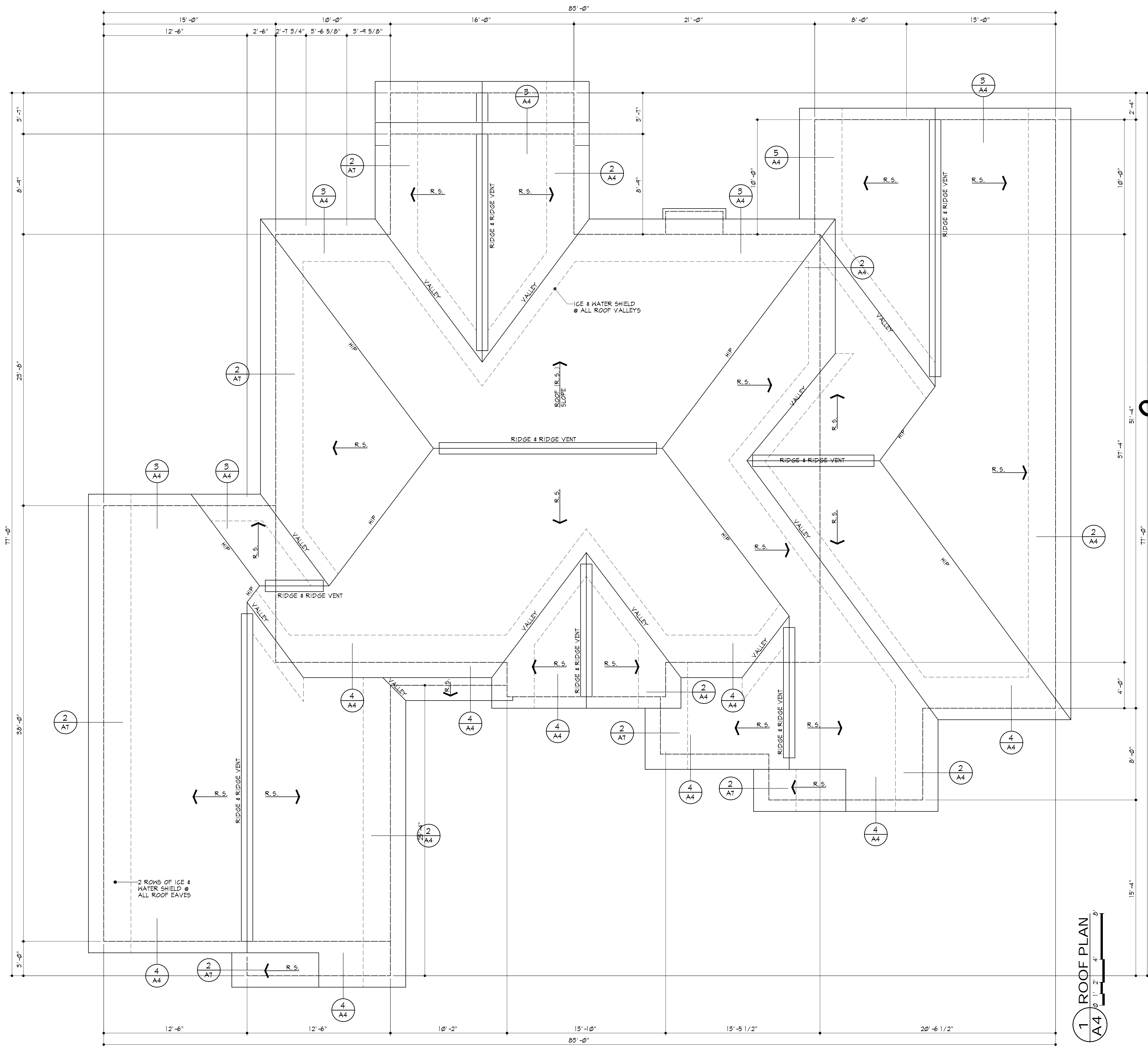
CJL DESIGN Services
 Residential / Light Commercial Design & Drafting

NEW RESIDENCE FOR:
MR. & MRS. CLIENT
 CLIFTON PARK, NEW YORK
 FIRST FLOOR - 3162 S.F. SECOND FLOOR - 1953 S.F.
 GARAGE - 894 S.F. STORAGE - 414 S.F.

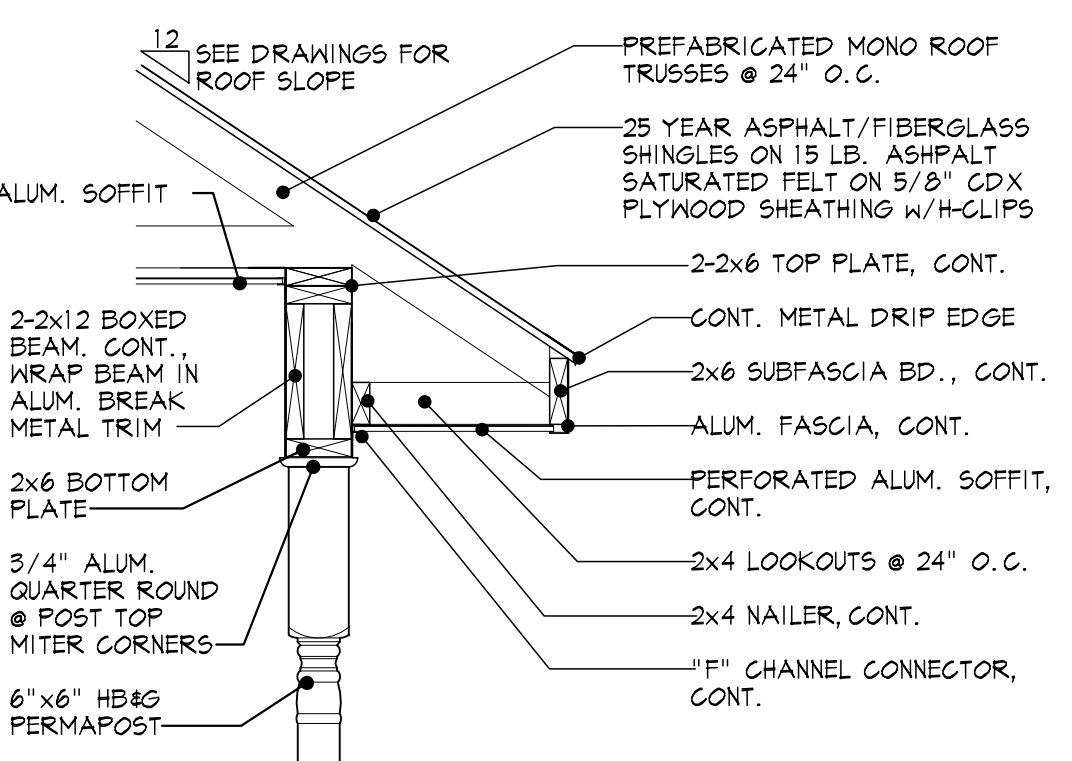
ROOF PLAN & DETAILS

Project #: 2014
 Drawn By: C.J.L.
 Scale: AS NOTED
 Date: 11/17/2003

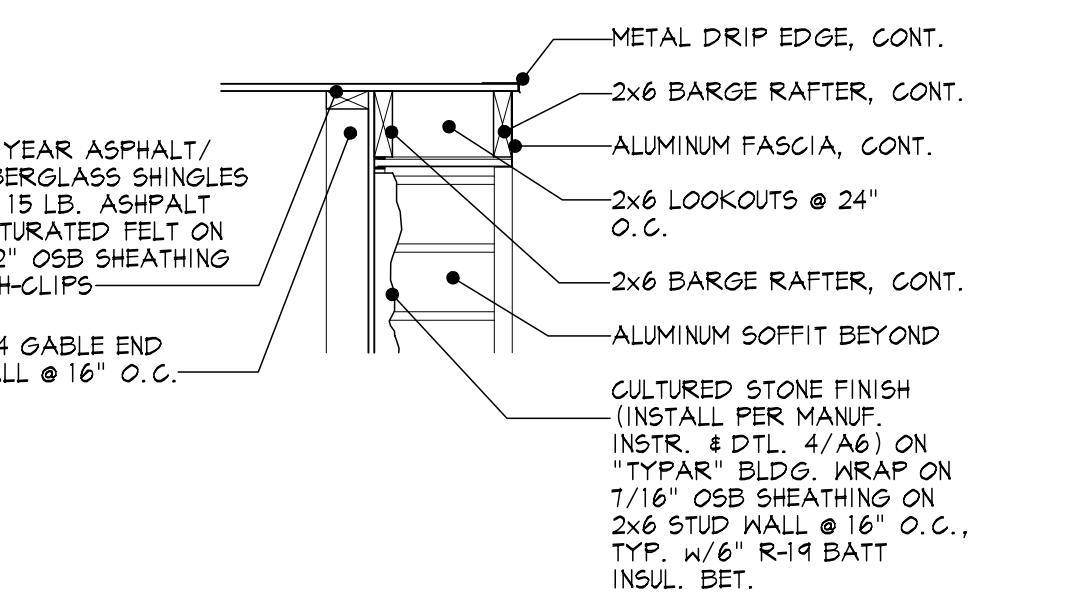
DRAWING A4



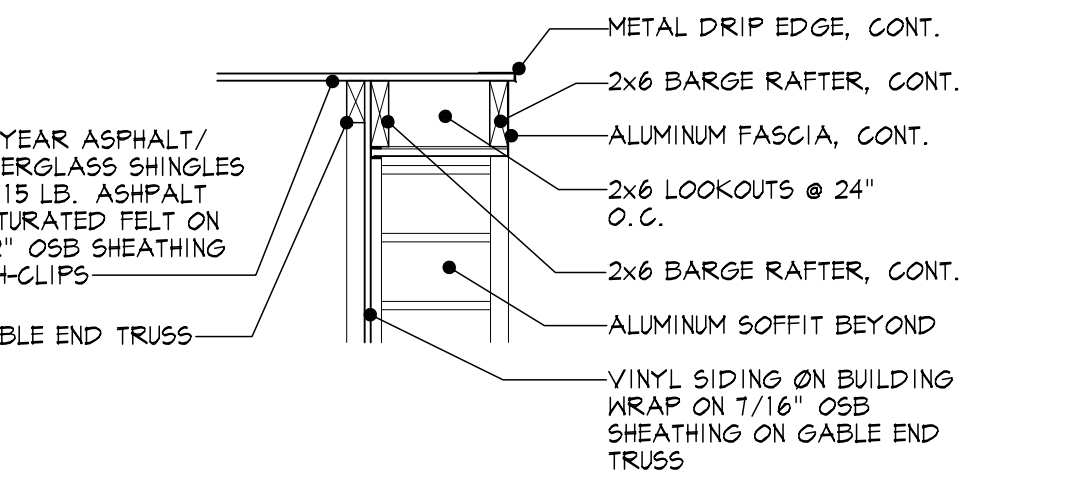
6 ROOF BEARING @ WALL
 A4 SCALE: N.T.S.



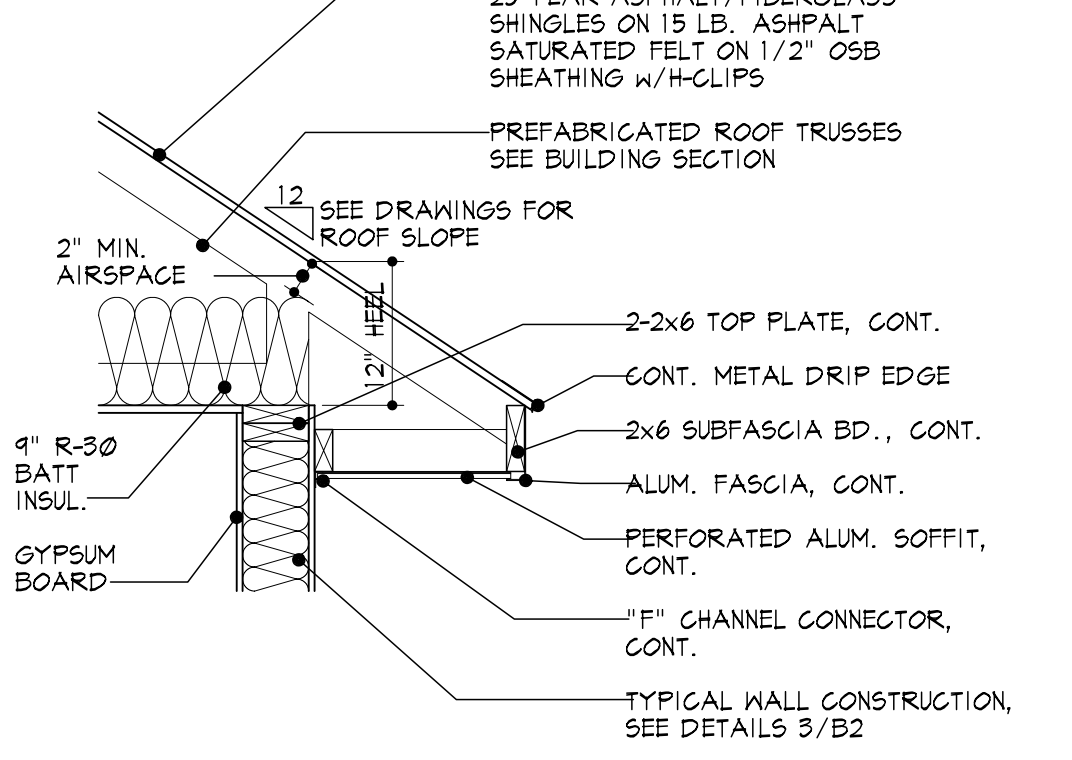
5 ROOF EAVE @ PORCH
 A4 SCALE: N.T.S.



4 GABLE OVERHANG DTL.
 A4 SCALE: N.T.S.



3 GABLE OVERHANG DTL.
 A4 SCALE: N.T.S.



2 EAVE DETAIL
 A4 SCALE: N.T.S.



1 ROOF PLAN
 A4 SCALE: AS NOTED

NOT FOR CONSTRUCTION